

# PRODUCT INFORMATION PACKET



Model No: C4D18FK4B

Catalog No: 109104.00

1 1/2HP.1800RPM.S56CZ.TEFC.36V.CONT.40C.1.0SF.RIGID C.DC NEMA LOW VOLTAGE.C4D18FK4B  
Low Voltage



Regal and Leeson are trademarks of Regal Beloit Corporation or one of its affiliated companies.

©2018 Regal Beloit Corporation, All Rights Reserved. MC017097E





### Nameplate Specifications

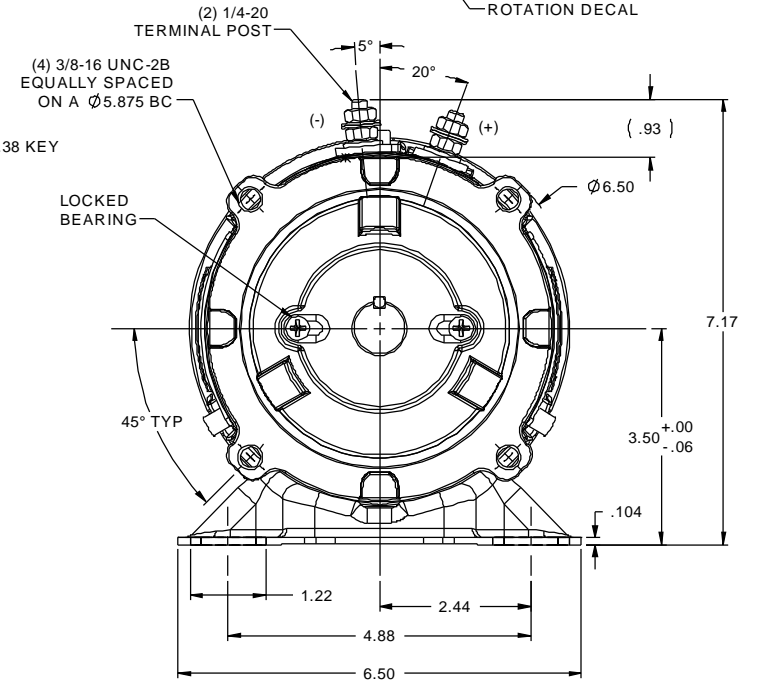
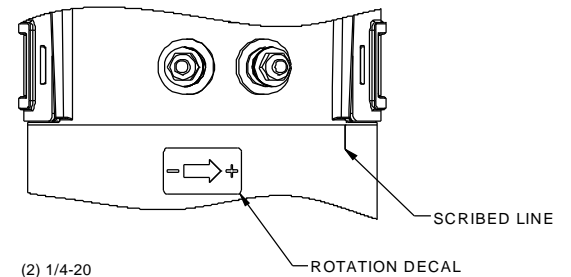
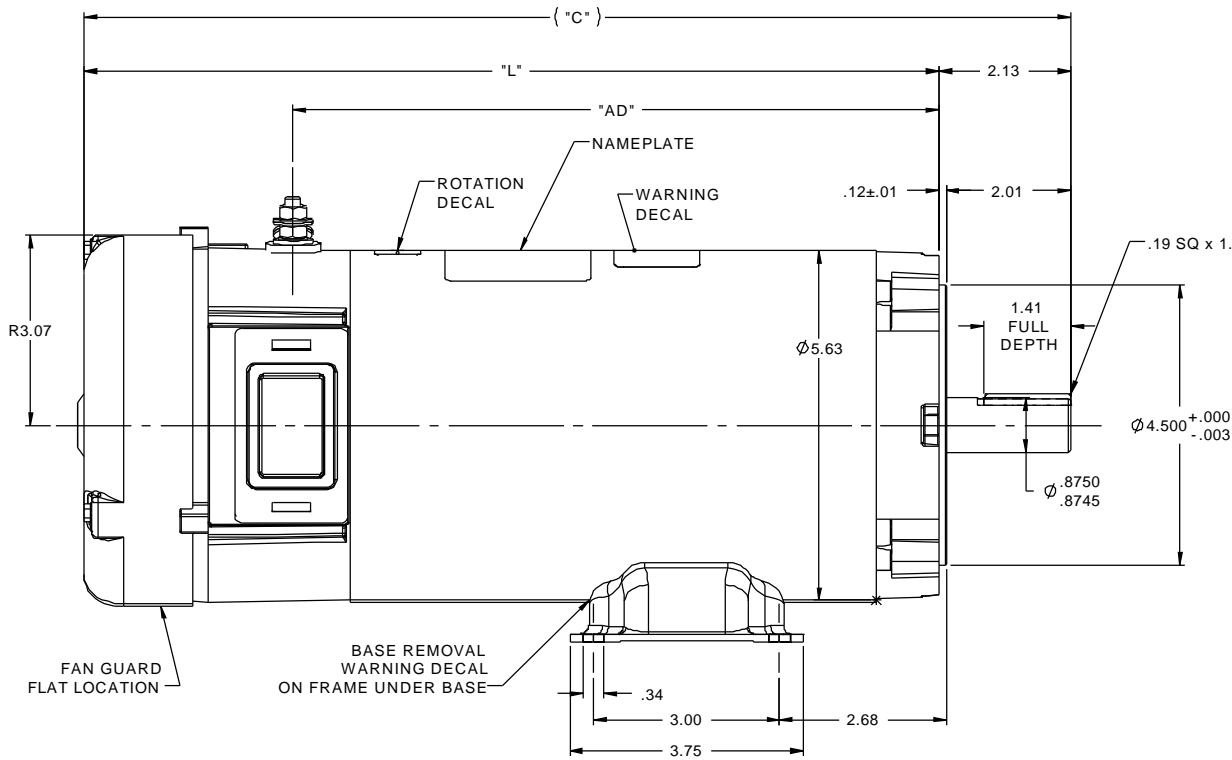
Output HP	1.50 Hp	Output KW	1.1 kW
Voltage	36 V	Current	36.0 A
Speed	1800 rpm	Service Factor	1
Efficiency	82.4 %	Duty	Continuous
Insulation Class	H	Frame	S56CZ
Enclosure	Totally Enclosed Fan Cooled	Overload Protector	No
Ambient Temperature	40 °C	Drive End Bearing Size	6205
Opp Drive End Bearing Size	6203	UL	Recognized
CSA	Y	CE	N

### Technical Specifications

Rotation	Reversible	Mounting	Rigid C base
Overall Length	15.89 in	Frame Length	8.47 in
Shaft Diameter	0.875 in	Shaft Extension	2.13 in
Outline Drawing	031935-109104		

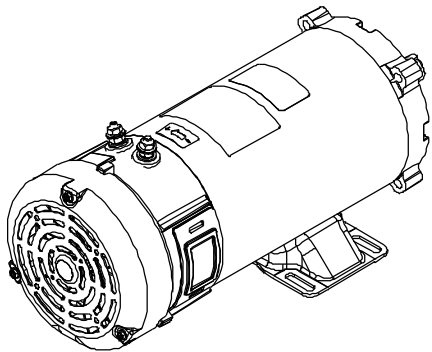
This is an uncontrolled document once printed or downloaded and is subject to change without notice. Date Created: 10/15/2018

RBC PROPRIETARY AND CONFIDENTIAL INFORMATION  
 This document is the property of REGAL BELOIT CORPORATION ("RBC") including its subsidiaries and divisions and contains proprietary information of RBC. This document is loaned on the express condition that neither the information contained therein shall be disclosed to others without the express written consent of RBC, and that the information shall be used by the recipient only as approved expressly by RBC. This document shall be returned to RBC upon request. This document may be subject to certain restrictions under U.S. export control laws and regulations.



- NOTES:  
 1) MAXIMUM FACE RUNOUT .004 T.I.R.  
 2) MAXIMUM PILOT ECCENTRICITY .004 T.I.R.  
 3) PERMISSIBLE SHAFT RUNOUT .002 T.I.R.  
 4) GASKETS THROUGHOUT.

109105.00	15.89	13.76	10.40	48	1 1/2	1800
109104.00	15.89	13.76	10.40	36	1 1/2	1800
CATALOG No.	"C"	"L"	"AD"	VOLTS	H.P.	RPM



		TOLERANCES UNLESS SPECIFIED		LEESON ELECTRIC MOTORS GEARMOTORS AND DRIVES		DRAWN RWS 4/6/09	
		DEC	INCHES			CHK	BC 4/6/09
02	ADDED NOTE PER PFG REQUEST	JJM	10/18/2013	X	±.1		APPR
01	ADDED NOTE ABOUT FAN GUARD FLAT LOCATION, ISAAC	IPG	12/10/2009	XX	±.03	TITLE OUTLINE	SCALE 1:2
	09-4813			XXX	±.005	48 FRAME DC	REF 031886
	RELEASED	RWS	4/6/2009	BC	XXXX ±.0005	MAT'L	FMF 109104.75
NO	REVISION	BY & DATE	CHK	ANG	±1/2°	FINISH	PAGE OF
THIRD ANGLE PROJECTION						PREV	SIZE DRAWING NO
						NETWORK FILE NAME 031935	<b>B</b> <b>031935</b>
							REV
							<b>02</b>